

# Seven Oceans Fastening System Sdn Bhd

5449, Jalan J9, Taman Melawati,

53100 Kuala Lumpur, Malaysia.

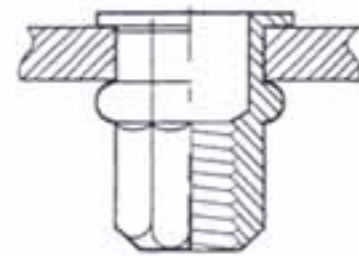
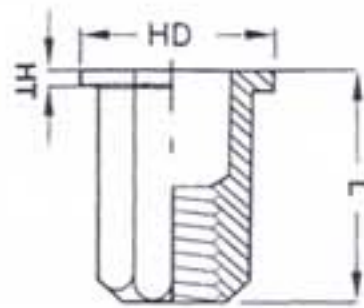
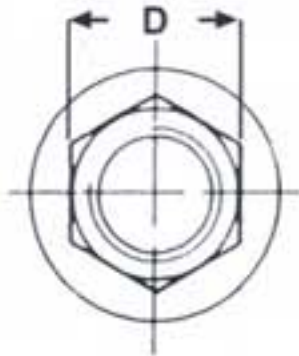
Tel: 603-4107 7377 Fax: 603-4108 9377

Email: [ktyap@7-oceans.com](mailto:ktyap@7-oceans.com)

<http://www.7-oceans.com>

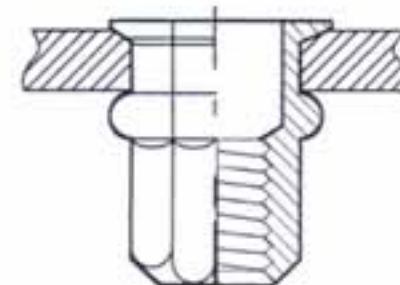
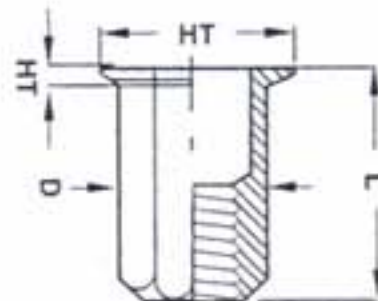


## FLAT HEAD FULL HEX. RIVET NUT FASTENER



<b>HEF</b> SERIES	<b>M</b> THREAD SIZE	<b>D (mm)</b> ± 0.08	<b>HD (mm)</b>	<b>HT (mm)</b> ± 0.13	<b>L (mm)</b>	FOR USING IN MATERIAL THICKNESS (mm)	Hole Size +0.1/-0.0
	M4P0.7	5.90	9.0	1.0	11.0	0.5~2.0	6
	M5P0.8	6.90	10.0	1.0	13.0	0.5~3.0	7
	M6P1.0	8.90	13.0	1.5	16.0	0.5~3.0	9
	M8P1.25	10.90	16.0	1.5	18.0	0.7~3.0	11
	M10P1.5	12.90	19.0	1.9	24.0	1.0~3.5	13

## COUNTERSUNK HEAD FULL HEX. RIVET NUT FASTENER



<b>HEC</b> SERIES	<b>M</b> THREAD SIZE	<b>D (mm)</b> ± 0.08	<b>HD (mm)</b>	<b>HT (mm)</b> ± 0.13	<b>L (mm)</b>	FOR USING IN MATERIAL THICKNESS (mm)	Hole Size +0.1/-0.0
	M4P0.7	5.90	6.7	0.67	10.0	0.5~2.0	6
	M5P0.8	6.90	7.9	0.77	12.5	0.5~3.0	7
	M6P1.0	8.90	9.9	0.87	15.5	0.5~3.0	9
	M8P1.25	10.90	12.0	0.97	18.0	0.7~3.0	11
	M10P1.5	12.90	14.0	0.97	24.0	1.0~3.5	13

Material: Steel, Aluminum. Special finish or material available upon request.